

# Affordable & Versatile LED Pendants

Hang Straight Swivel

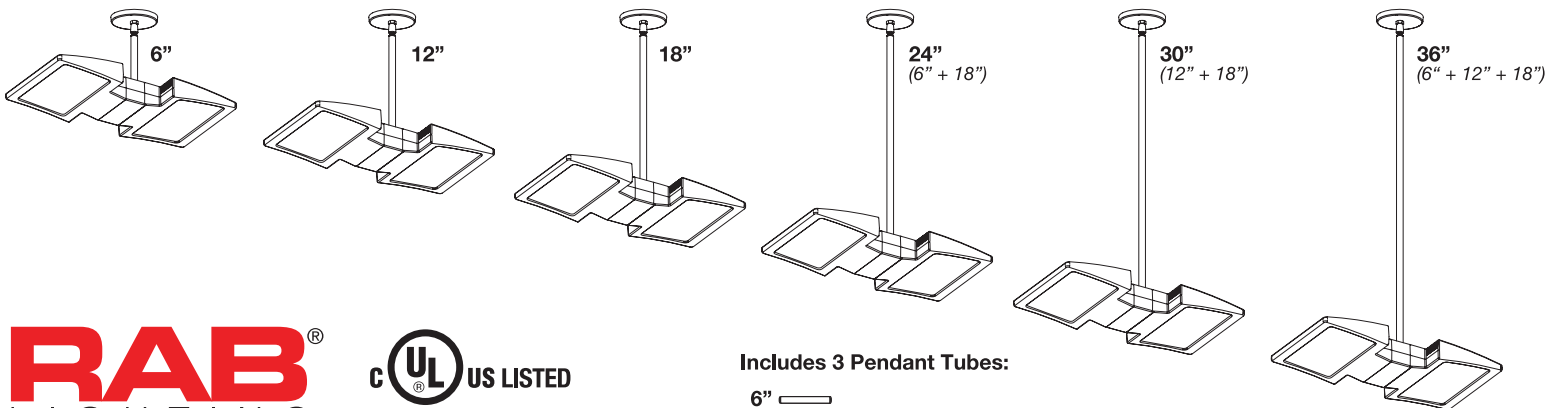
Great for Accent / Indirect Lighting

Uplight

Downlight

**P**LED™  
LED PENDANT

## Customize Your Pendant Height



**RAB**®  
LIGHTING  
www.rabweb.com • 888 722-1000

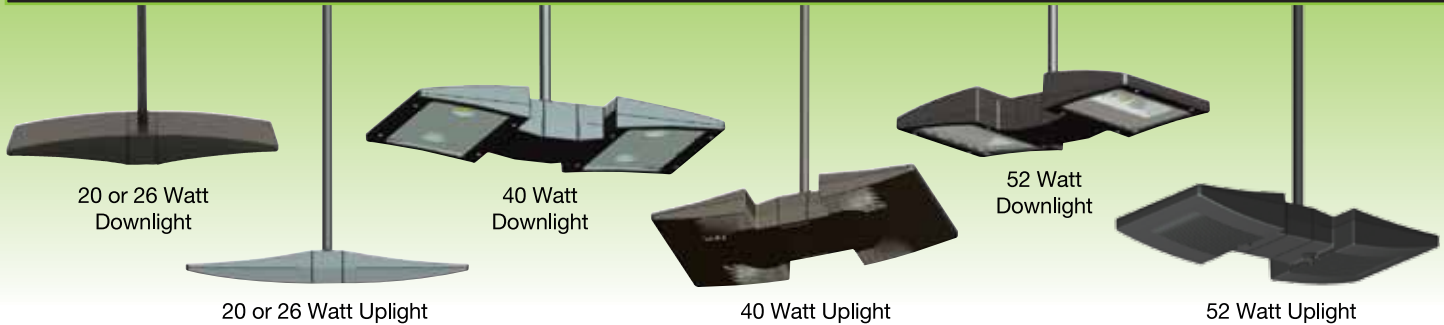
**UL** US LISTED  
SUITABLE FOR WET LOCATIONS  
(When used as a Downlight)

Includes 3 Pendant Tubes:



# LED Pendants for Uplight, Downlight, Garage and Canopy Applications

## Available Models



## Replacement Ranges

Product	Equivalency	Replacement Range
PLED2x10	32W CFL	32-42W CFL • 70W MH
PLED2x13	42W CFL • 70W MH	70-100W MH
PLED2x20	100W MH	100-150W MH
PLED2x26	175W MH	100-250W MH



## Catalog Numbers

Catalog #	LED Watts	Input Watts	Color Temperature	Lumen Output	Lumens per Watt	Mounting Height Range	Voltage	UL Listed
PLED2x26	2 x 26 (52w)	59	Cool	3652	62	10'-18'	100-240, 277V	Damp Locations
PLED2x26/UP	2 x 26 (52w)	59	Cool	3652	62	10'-18'	100-240, 277V	Damp Locations
PLED2x26W	2 x 26 (52w)	59	Cool	3652	62	10'-18'	100-240, 277V	Damp Locations
PLED2x26W/UP	2 x 26 (52w)	59	Cool	3652	62	10'-18'	100-240, 277V	Damp Locations
PLED2x20	2 x 20 (40w)	44	Cool	2802	64	10'-18'	100-240, 277V	Wet Locations
PLED2x20/UP	2 x 20 (40w)	44	Cool	2802	64	10'-18'	100-240, 277V	Wet Locations
PLED2x20W	2 x 20 (40w)	44	Cool	2802	64	10'-18'	100-240, 277V	Wet Locations
PLED2x20W/UP	2 x 20 (40w)	44	Cool	2802	64	10'-18'	100-240, 277V	Wet Locations
PLED2x13	2 x 13 (26w)	30	Cool	2128	68	10'-18'	100-240, 277V	Wet Locations
PLED2x13/UP	2 x 13 (26w)	30	Cool	2128	68	10'-18'	100-240, 277V	Damp Locations
PLED2x13W	2 x 13 (26w)	30	Cool	2128	68	10'-18'	100-240, 277V	Wet Locations
PLED2x13W/UP	2 x 13 (26w)	30	Cool	2128	68	10'-18'	100-240, 277V	Damp Locations
PLED2x10	2 x 10 (20w)	26	Cool	1094	41	10'-18'	100-240V	Wet Locations
PLED2x10/UP	2 x 10 (20w)	26	Cool	1094	41	10'-18'	100-240V	Damp Locations
PLED2x10W	2 x 10 (20w)	26	Cool	1094	41	10'-18'	100-240V	Wet Locations
PLED2x10W/UP	2 x 10 (20w)	26	Cool	1094	41	10'-18'	100-240V	Damp Locations