

LED Lighting That Is Spot On...



Introducing the
HSLED13

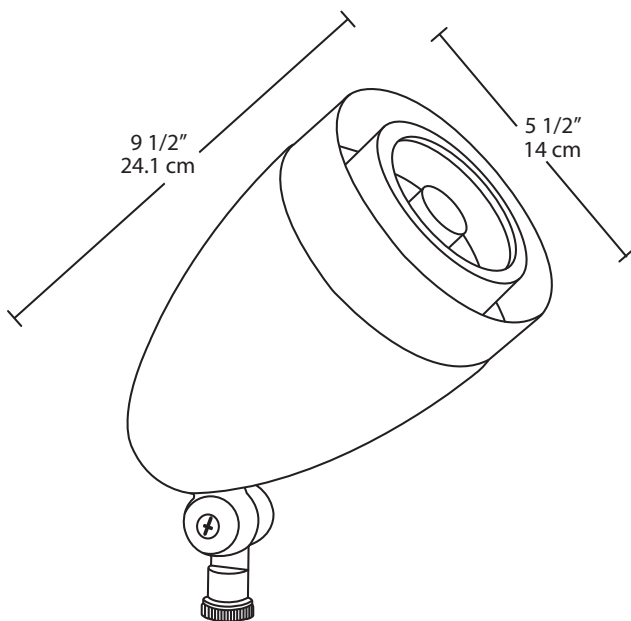
**Perfect for Flag Lighting
Over 40 Feet High!**

RAB[®]
LIGHTING
www.rabweb.com • 888-722-1000

HSLED13

- Spot Lighting for Over 40 Feet Away
- Perfect for Flag Lighting
- NEMA Type - 2H x 2V
- Available in Four Colors
- 50,000-Hour Life Based on LM-80 Tests
- 5-Year LED Warranty

Dimensions



Catalog Numbers

HSLED13A	Cool Light, Bronze
HSLED13B	Cool Light, Black
HSLED13W	Cool Light, White
HSLED13VG	Cool Light, Verde Green
HSLED13NA	Neutral Light, Bronze
HSLED13NB	Neutral Light, Black
HSLED13NW	Neutral Light, White
HSLED13NVG	Neutral Light, Verde Green
HSLED13YA	Warm Light, Bronze
HSLED13YB	Warm Light, Black
HSLED13YW	Warm Light, White
HSLED13YVG	Warm Light, Verde Green

Specifications

UL Listing

Suitable for wet locations.
Suitable for mounting within
4' of the ground.



LEDs

13W high-output, long-life LED

Driver

Constant Current, Class 2, 100 - 277V, 50/60 Hz, 100 - 240VAC: 0.3 - 0.15A, 277VAC: 0.15A

Input Watts

15.2

Output Lumens*

787

Lumens per Watt*

52

Color Accuracy (CRI)*

67

Correlated Color Temp. (Nominal CCT)*

5100K

Cold Weather Starting

Minimum starting temperature is -40°F / -40°C

Heatsink

Superior heat sinking with Air-Flow technology

Housing

Precision die-cast aluminum housing, hood and mounting arm

Gaskets

High Temperature Silicone

Finish

Chip and fade resistant polyester powder coat finish

Color Stability

RAB LEDs exceed industry standards for chromatic stability

Color Uniformity

RAB's range of CCT (Correlated Color Temperature) follows the guidelines of the American National Standard for Specifications for the Chromaticity of Solid State Lighting (SSL) Products, ANSI C78.377-2008.

Green Technology

Mercury and UV free, and RoHS compliant

IESNA LM-79 & LM-80 Testing

RAB LED luminaires have been tested by an independent laboratory in accordance with IESNA LM-79 and LM-80, and have received the Department of Energy "Lighting Facts" label.

California Title 24

Complies with California Title 24 building and electrical codes

Patents

The design of the HSLED is protected by patents pending in US, Canada, China, Taiwan and Mexico.

* Values shown for cool temperature. Visit www.rabweb.com for warm and neutral.

Flag Lighting Law

United States Code, Title 36, Chapter 10, Paragraph 174 states:

"It is the universal custom to display the flag only from sunrise to sunset on buildings and on stationary flagstaffs in the open. However, when a patriotic effect is desired, the flag may be displayed twenty-four hours a day if properly illuminated during the hours of darkness."

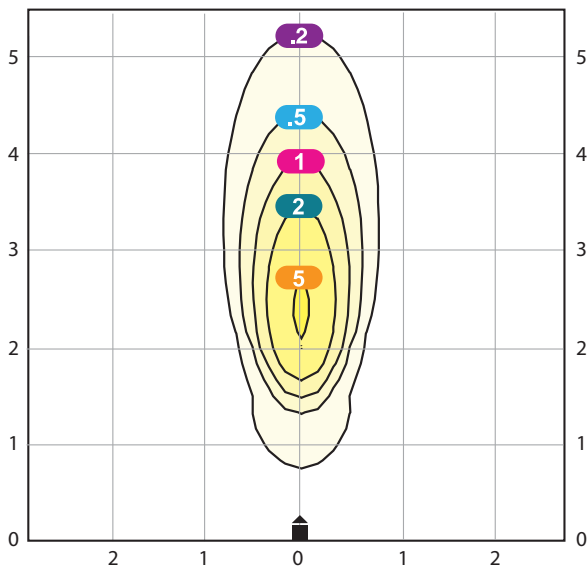
Recommended Pole & Flag Sizes

Height of Flagpole (ft)	Min. Flag Size (ft)	Max. Flag Size (ft)
15	2.5 x 4	4 x 6
20	3 x 5	5 x 8
25	3 x 5	5 x 8
30	4 x 6	6 x 10
40	5 x 8	8 x 12
50	6 x 10	10 x 15

Photometrics

HSLED13 (Spot)

13W LED at 10' Setback - 70° Above Horizon



Multiples of Mounting Height - Values shown in Footcandles

Flag Lighting Tips

- Use at least 2, preferably 3 lights in a triangle so the flag is well lit no matter which direction the wind is blowing.
- Install fixtures away from the flag pole about 1/3 to 1/2 the height of the pole.

