

The LED Flood Family is Growing...



Introducing the
FFLED39

**Replaces 150 Watt
Metal Halide Floodlight**

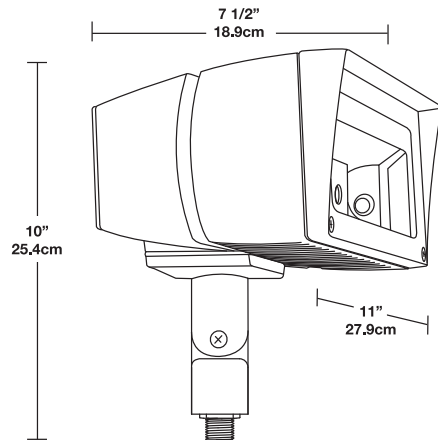
39W

RAB[®]
LIGHTING
www.rabweb.com • 888-722-1000

FFLED39

- 39 Watt High-Performance LED
- Replaces 150W MH Floodlights
- Rugged Swivel Arm
- 50,000 Hour Life Based on LM-80 Tests
- Air-Flow Technology Heatsink
- 5-Year Warranty
- NEMA Type - 7H x 6V

Dimensions



Catalog Numbers & Accessories

FFLED39	Bronze, Cool Light
FFLED39W	White, Cool Light
FFLED39N	Bronze, Neutral Light
FFLED39NW	White, Neutral Light
FFLED39Y	Bronze, Warm Light
FFLED39YW	White, Warm Light

GDFLED39W	Wire Guard
GDFLED39P	Shield



Specifications

UL Listing

Suitable for wet locations.
Suitable for mounting within 4' of the ground.



LEDs

Three multi-chip 13W, high-output, long-life LEDs

Driver

Constant Current, Class 2, 100 - 277V, 50 - 60 Hz,
100 - 240VAC: 0.7-0.55 Amps; 277VAC: 0.55 Amps

Input Watts 45

Output Lumens* 2991

Lumens Per Watt* 66

Surge Protection 6 KV

Cold Weather Starting

The minimum starting temperature is -40°C.

Heatsink

Superior heat sinking with external Air-Flow fins

Housing

Die-cast aluminum housing, lens frame and mounting arm

Mounting

Heavy-duty mounting arm with "O" ring seal & stainless steel screw

Color Stability

RAB LEDs exceed industry standards for chromatic stability

Color Accuracy

68 CRI

Color Temperature (Nominal CCT)

5100K

Color Uniformity

RAB's range of CCT (Correlated Color Temperature) follows the guidelines of the American National Standard for Specifications for the Chromaticity of Solid State Lighting (SSL) Products, ANSI C78.377-2008.

Reflector

Semi-specular anodized aluminum

Gaskets

High-temperature silicone gaskets

Finish

Chip and fade resistant polyester powder coat finish in bronze or white

Green Technology

Mercury and UV free

IESNA LM-79 & LM-80 Testing

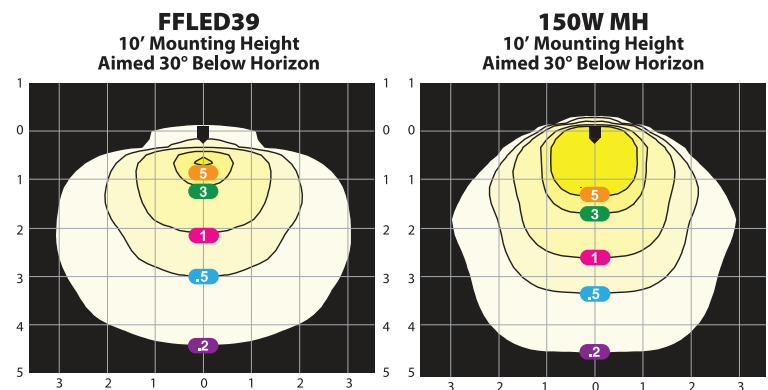
RAB LED luminaires have been tested by an independent laboratory in accordance with IESNA LM-79 and LM-80, and have received the Department of Energy "Lighting Facts" label.

California Title 24

FFLED39 complies with California Title 24 building and electrical codes.

**Values shown for cool temperature. Visit www.rabweb.com for neutral and warm.*

Photometrics



Multiples of Mounting Height - Values shown in Footcandles