

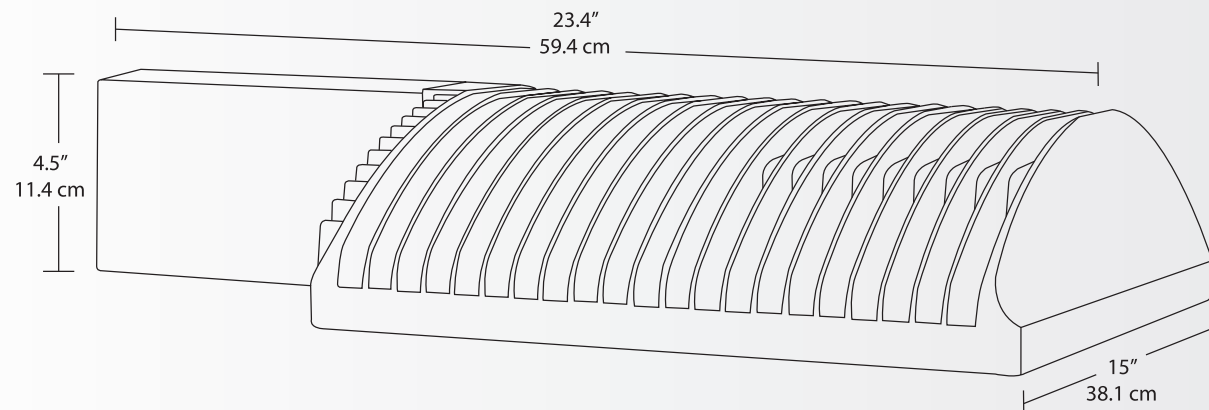
ALED3T78

- 78 Watt High-Performance LED
- Replaces 250W MH Area Lights
- Type III Distribution (Type II & IV Available)
- 50,000 Hour Life Based on LM-80 Tests
- Patent Pending Heat-Dissipating Design
- 5-Year Warranty


Catalog Numbers

ALED3T78	Bronze, Cool Light, Type III Distribution
ALED3T78N	Bronze, Neutral Light, Type III Distribution
ALED2T78	Bronze, Cool Light, Type II Distribution
ALED2T78N	Bronze, Neutral Light, Type II Distribution
ALED4T78	Bronze, Cool Light, Type IV Distribution
ALED4T78N	Bronze, Neutral Light, Type IV Distribution

Dimensions



Specifications

UL Listing  Suitable for wet locations as a downlight. SUITABLE FOR WET LOCATIONS

LEDs Six multi-chip 13W, high-output, long-life LEDs

Drivers Three drivers, constant current, Class 2, 100 - 277V, 50 - 60 Hz, 100 - 277VAC: 0.4 Amps

Input Watts 91

Output Lumens* 4959

Lumens Per Watt* 55

Surge Protection 6 KV

Cold Weather Starting The minimum starting temperature is -40°C.

Heatsink Superior heat sinking with external Air-Flow fins

Housing Die-cast aluminum housing, lens frame and mounting arm

Mounting Heavy-duty mounting arm with "O" ring seal & stainless steel screws

Color Stability RAB LEDs exceed industry standards for chromatic stability

Color Accuracy 68 CRI

Color Temperature (Nominal CCT) 5100K

Color Uniformity RAB's range of CCT (Correlated Color Temperature) follows the guidelines of the American National Standard for Specifications for the Chromaticity of Solid State Lighting (SSL) Products, ANSI C78.377-2008.

Reflector Specular aluminum

Gaskets High-temperature silicone gaskets

Finish Chip and fade resistant polyester powder coat finish in bronze

Green Technology Mercury and UV free

IESNA LM-79 & LM-80 Testing RAB LED luminaires have been tested by an independent laboratory in accordance with IESNA LM-79 and LM-80, and have received the Department of Energy "Lighting Facts" label.

California Title 24 ALED78 complies with California Title 24 building and electrical codes.

Dark Sky Approved The International Dark Sky Association has approved this product as a full cutoff, fully shielded luminaire.

For use on LEED Buildings IDA Dark Sky Approval means that this fixture can be used to achieve LEED Credits for Light Pollution Reduction.

* Values shown for Type III distribution and for cool temperature. Visit www.rabweb.com for Type II, Type IV and neutral.



ALED 78

Replaces
250 Watt
Metal Halide
Area Light

Specification-Grade Optics

ALED78

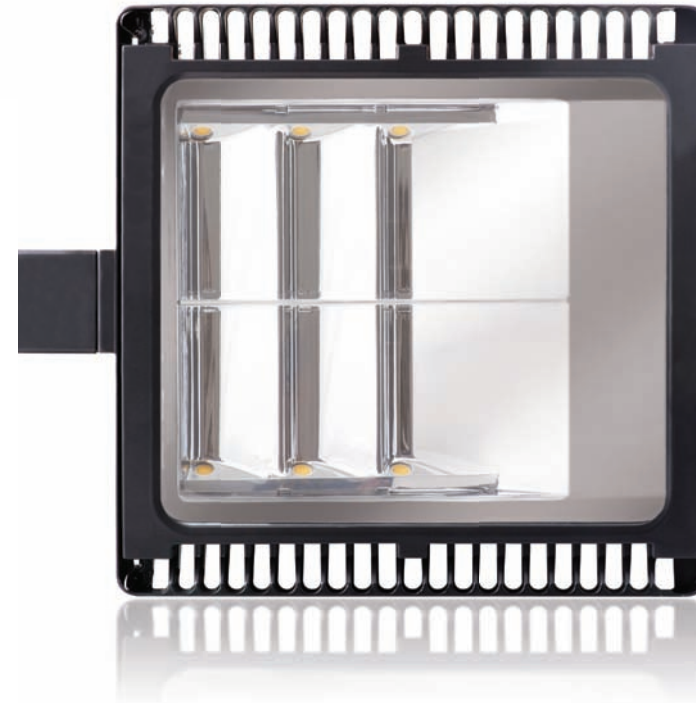
RAB engineered "specification-grade" optics for the ALED78 that deliver efficient, clean, uniform light distributions at a reasonable cost. The optics are factory installed and meet IES Lateral Distribution Types II, III and IV.

For assistance in choosing the distribution to match your application, please contact RAB Application Engineering by emailing applications@rabweb.com or calling 888 722-1000.

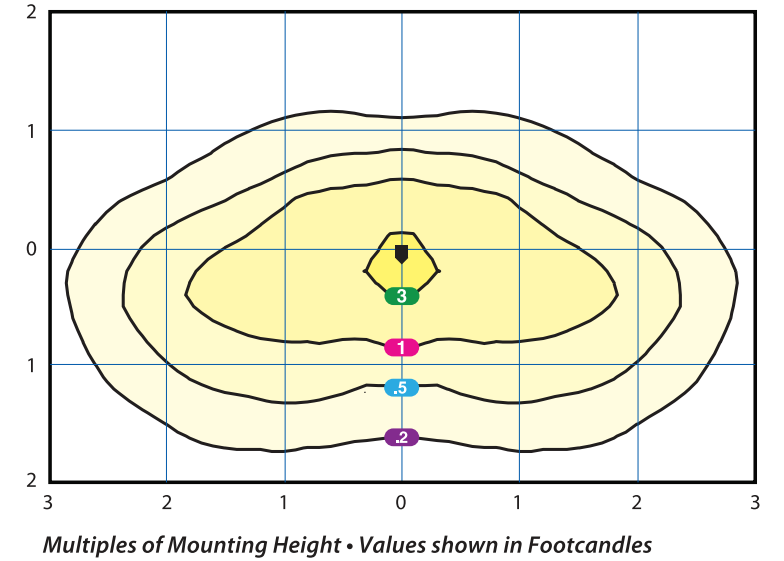


Type II

The Type II distribution is ideal for wide walkways, on ramps and entrance roadways, bike paths and other long and narrow lighting applications. Meant for lighting larger areas and usually located near the roadside, this type of lighting is commonly found on smaller side streets or jogging paths.



ALED2T78 Mounted at 20 ft.

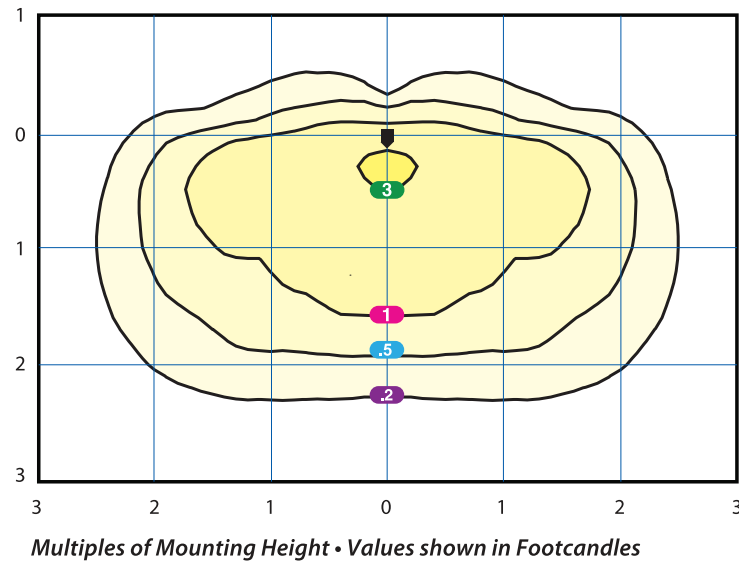


Type III

The Type III distribution is ideal for roadway, general parking, and other area lighting applications where a larger pool of lighting is required. It is intended to be located near the side of the area, allowing the light to project outward and fill the area.

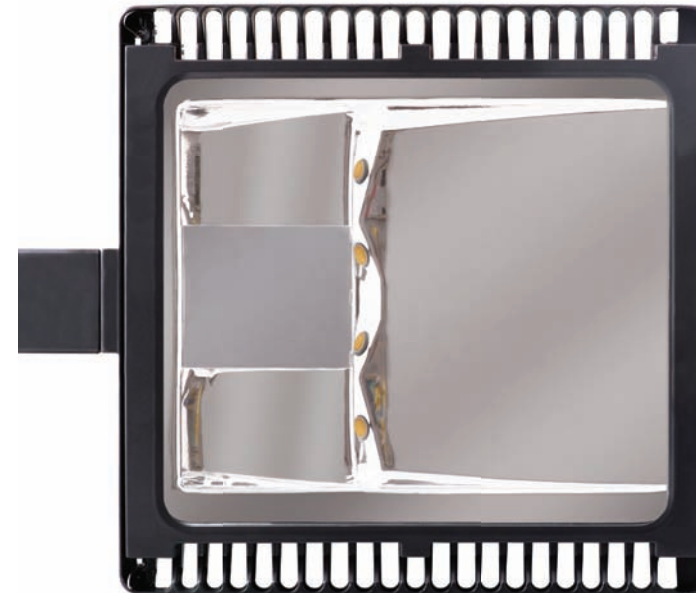


ALED3T78 Mounted at 20 ft.



Type IV

The Type IV distribution (also known as a "Forward Throw") is especially suited for mounting on the sides of buildings and walls, and for illuminating the perimeter of parking areas. It produces a semicircular distribution with essentially the same candlepower at lateral angles from 90 to 270 degrees.



ALED2T78 Mounted at 20 ft.

